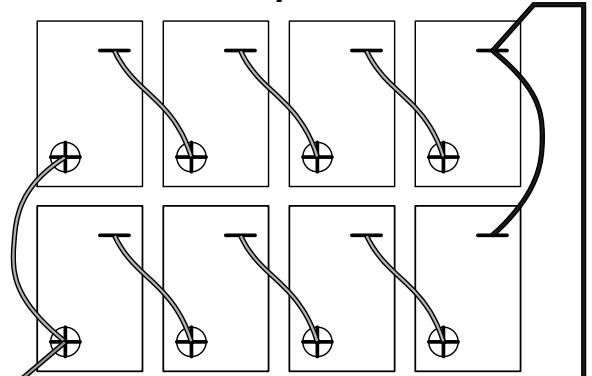


**PV Modules  
(Solar Panels)**

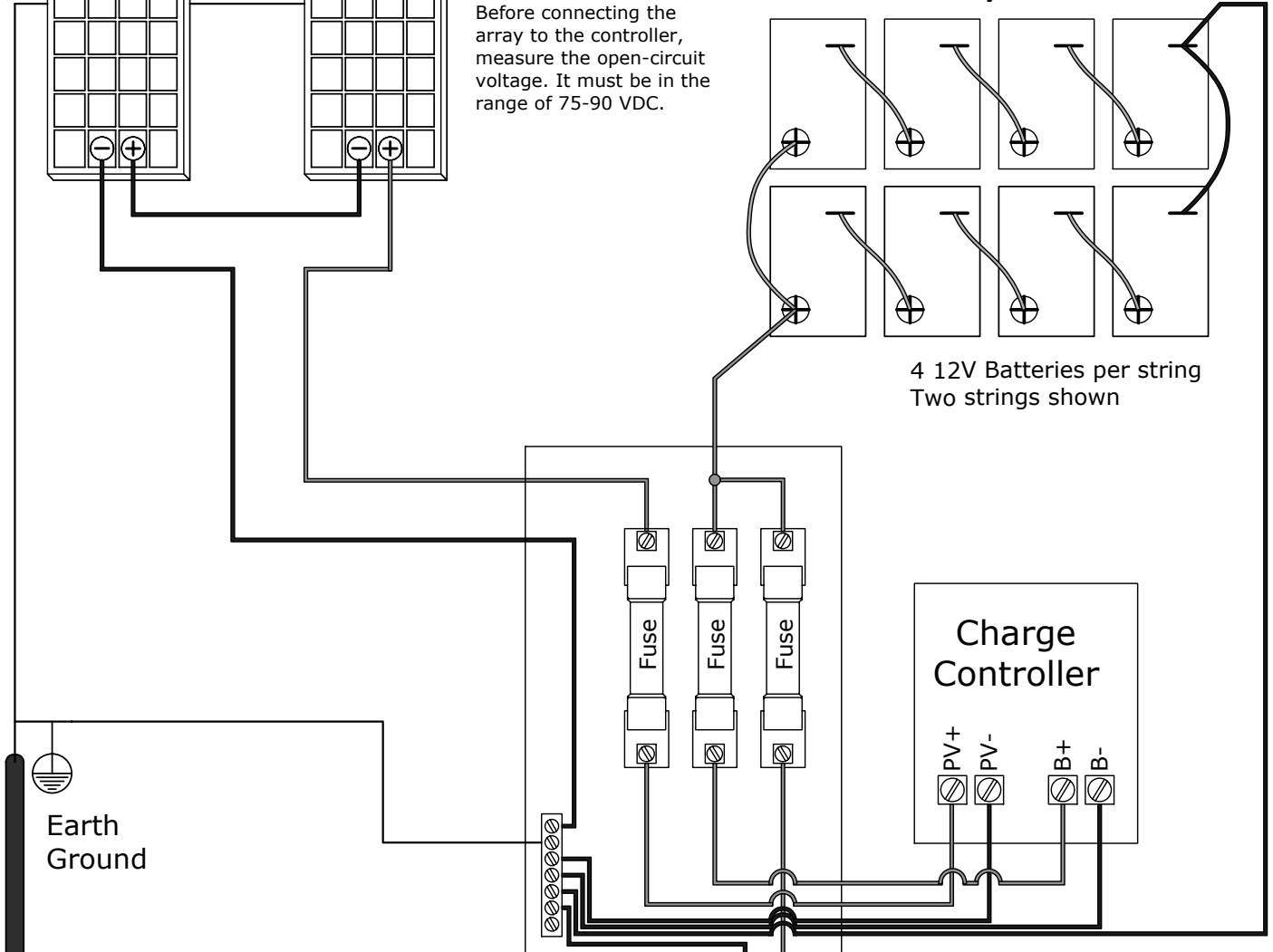
Two 24v modules shown  
in 48v series configuration.

Before connecting the  
array to the controller,  
measure the open-circuit  
voltage. It must be in the  
range of 75-90 VDC.

**Battery Bank**



4 12V Batteries per string  
Two strings shown



Earth  
Ground

DC Rated  
Fused  
Disconnect

Charge  
Controller

Pump  
Controller

Pump

**Solar Power & Pump Co.**  
  
 Elk City, OK  
 580-225-1704  
 1-866-246-7652