

PS600 HR/C

Solar-operated Submersible Pump System, 4" Helical Rotor (HR) or Centrifugal (C) Pump Unit



Characteristics

- lift up to 180m
- flow rate up to 11m³/h
- simple installation
- maintenance-free
- high reliability and life expectancy
- cost-efficient pumping

Applications

- drinking water supply
- livestock watering
- pond management
- irrigation
- etc.

Components

Controller PS600

- controlling of the pump system and monitoring of the operating states
- mounted at surface (no electronic parts submerged)
- two control inputs for well probe (dry running protection), float or pressure switches, remote control etc.
- automatic reset 20 minutes after well probe turns pump off
- protected against reverse polarity, overload and high temperature
- speed control, max. pump speed adjustable to reduce flow rate to c. 30%
- solar operation: integrated MPPT (Maximum Power Point Tracking)
- battery operation: low voltage disconnect and restart after battery has recovered
- max. efficiency 92% (motor + controller)
- enclosure: IP 54 (sealed, weatherproof)

Motor ECDRIVE 600HR/C

- brushless DC motor
- no electronics inside motor
- water filled
- IP68, pressure balanced, unlimited submersion
- dynamic slide bearings, material: carbon/ceramic
- wetted material: stainless steel (AISI 316), POM, rubber, cable drinking water approved

Pump End (PE)

- high life expectancy
- none-return valve
- dry running protection (optional)
- material: stainless steel (AISI 316), rubber

HR Pumps Only

- helical rotor pump (positive displacement pump)
- two main parts only: stator and rotor, field serviceable
- stator: geometry made of abrasion resistant rubber
- rotor: stainless steel, hard chrome plated, abrasion resistant
- more resistant to damage by sand than other pump types
- self-cleaning

Performance

PS600	HR-03	HR-03H	HR-04	HR-04H
article #	1040-X	1045-X	1050-X	1055-X
lift [m]	0-140	140-180	0-80	80-140
max. flow rate [m ³ /h]	0.5	0.5	0.8	0.8
max. efficiency [%]	60	64	60	65
solar operation	nominal voltage 48-72V DC, open circuit voltage max. 150V DC			
solar generator [Wp]	300-480	420-900	300-480	420-900
battery operation	nominal voltage 48V DC			

PS600	HR-07	HR-14	C-SJ5-8	C-SJ8-5
article #	1060-X	1070-X	1292	1293
lift [m]	40-90	0-50	0-25	0-18
max. flow rate [m ³ /h]	1.2	2.7	7.5	11.0
max. efficiency [%]	64	65	47	47
solar operation	nominal voltage 48-72V DC, open circuit voltage max. 150V DC			
solar generator [Wp]	420-900	300-900	300-900	300-900
battery operation	nominal voltage 48V DC			



System Sizing Table

Instructions

1. lift: Find the lift you require and read the column below it.
2. daily volume: Find the daily volume you require at an irradiation of 4.5, 6 or 7.5kWh/m²/day. 7.5 is a moderately dry summer weather. For more water, look further down the column.
3. pipe sizing: Use peak flow rate for pipe sizing.
4. wire size, max. wire length

solar generator	vertical lift		5 m 16 ft		10 m 33 ft		15 m 50 ft		20 m 65 ft		30 m 100 ft		40 m 133 ft		50 m 165 ft		60 m 200 ft		70 m 230 ft		
	array mounting		fixed	tracked	fixed	tracked	fixed	tracked	fixed	tracked	fixed	tracked	fixed	tracked	fixed	tracked	fixed	tracked	fixed	tracked	
flow rate [m³/day]																					
300 Wp	irradiation kWh/ m ² /day	7.5	45	65	19	27	19	26	15	22	7.5	9.5	6.2	8.7	6.0	7.9	4.7	6.8	3.8	5.3	
		6.0	38	52	15	22	15	20	11	16	6.2	8.2	5.4	7.4	4.8	6.3	3.7	5.3	3.0	4.2	
	4.5	29	38	12	16	11	15	7.0	9.0	5.0	6.8	4.5	6.0	3.5	4.7	2.8	3.8	2.3	3.0		
	pump type	C-SJ8-5			HR-14						HR-04						HR-03				
peak flow rate [l/min]	110			47						40						36					
wire size/max. length				4mm ² / 45m #10 / 150ft						14						13					
350 Wp	irradiation kWh/ m ² /day	7.5	52	78	22	30	23	29	18	26	14	20	6.8	8.7	6.1	8.3	5.7	7.9	4.9	6.8	
		6.0	43	62	19	26	18	24	15	20	10	14	6.5	8.3	5.5	7.5	4.8	6.9	4.1	5.8	
	4.5	33	44	16	22	14	19	10	14	6.0	8.0	6.0	8.0	4.7	6.2	4.0	5.6	3.5	4.8		
	pump type	C-SJ8-5			HR-14						HR-04										
peak flow rate [l/min]	125			47						40						36					
wire size/max. length				4mm ² / 45m #10 / 150ft						13						13					
420 Wp	irradiation kWh/ m ² /day	7.5	60	90	26	31	24	30	20	29	16	23	8.7	13	6.8	8.7	6.1	8.3	5.7	7.6	
		6.0	50	72	22	27	19	25	17	24	12	17	7.5	11	6.0	7.9	5.4	7.2	4.8	6.4	
	4.5	39	53	17	24	15	21	14	19	8.0	11	6.5	8.7	5.0	7.0	4.5	6.0	4.0	5.4		
	pump type	C-SJ8-5			HR-14						HR-07						HR-04				
peak flow rate [l/min]	135			43						42						38					
wire size/max. length				4mm ² / 45m #10 / 150ft						20						13					
480 Wp	irradiation kWh/ m ² /day	7.5	66	95	34	49	30	43	22	30	18	26	14	16	11	16	8.7	13	6.1	8.7	
		6.0	56	80	28	38	24	32	19	27	15	19	10	14	8.5	12	7.0	10	5.5	7.4	
	4.5	44	60	22	28	18	24	15	21	12	16	7.0	9.5	5.5	7.5	5.0	6.5	4.5	6.0		
	pump type	C-SJ8-5			C-SJ5-8						HR-14						HR-07				
peak flow rate [l/min]	145			80						75						42					
wire size/max. length				6mm ² / 55m #10 / 130ft						28						20					
660 Wp	irradiation kWh/ m ² /day	7.5	82	112	60	86	38	57	26	30	22	29	17	25	14	19	9.8	14.4	8.7	12.5	
		6.0	71	98	50	70	32	46	23	29	18	24	14	19	11	15	8.5	12.0	7.3	10.5	
	4.5	56	74	36	47	24	33	19	25	14	19	10	14	8.0	10	7.0	9.5	6.0	8.5		
	pump type	C-SJ8-5			C-SJ5-8						HR-14						HR-07				
peak flow rate [l/min]	165			135						90						43					
wire size/max. length				4mm ² / 20m #10 / 85ft						6mm ² / 55m #10 / 130						40					
720 Wp	irradiation kWh/ m ² /day	7.5	87	125	66	93	42	61	33	47	24	30	20	29	18	26	11	14	10	14	
		6.0	76	106	54	78	35	50	26	36	20	26	18	25	14	19	10	14	9.0	13	
	4.5	59	80	39	53	25	34	22	30	17	23	16	21	9	12	9	12	8.0	11		
	pump type	C-SJ8-5			C-SJ5-8						HR-14						HR-07				
peak flow rate [l/min]	175			145						95						75					
wire size/max. length				4mm ² / 20m #10 / 85ft						6mm ² / 55m #10 / 130						44					
840 Wp	irradiation kWh/ m ² /day	7.5	96	133	74	110	57	85	40	60	24	30	22	30	19	27	11	14	10	15	
		6.0	84	110	63	91	45	65	33	47	22	29	21	28	16	23	10	14	9.8	14	
	4.5	68	92	46	62	30	41	25	34	20	26	18	24	13	18	9.5	13	9.0	13		
	pump type	C-SJ8-5			C-SJ5-8						HR-14						HR-07				
peak flow rate [l/min]	185			170						150						95					
wire size/max. length				4mm ² / 20m #10 / 85ft						6mm ² / 55m #10 / 130						43					

System Voltage

48-72V nominal, e.g. 4-6 standard 12V modules wired in series, Voc 150V max.

Lift Limits

These systems are selected for optimum performance. To allow unexpected drawdown, each system can handle an additional 15% lift.

Wire Sizes

Cable layout is calculated to stay within 4% power loss.

Pump cable: example: 6mm²/55m = maximum allowable length (controller to pump) for the given wire size.

Variations of Wire Length

Longer: for each 50% increase, the next larger wire size is required.

Shorter: for each 33% decrease, the next smaller wire size is possible.

Array to controller: up to 6m/20ft: min. 4mm²/#10

Controller to low-water-probe: min. 1mm²/#18, 2-conductor

Vertical lifts higher than 100m/330ft

For lifts higher than 100m/330ft please compare the wire sizes of the PS1200 system. Due to higher system voltage use of smaller wire diameters is possible and might result in reduced overall system cost.

Conversion for Flow Rates

1 m ²	264 US Gal.
1 m ²	220 Imp. Gal.
1 l/min	0.264 US Gal./min
1 l/min	0.220 Imp. Gal./min

Conversion for Lift/Length

1 m	3.3 ft
-----	--------

1 lift

80 m 265 ft	90 m 300 ft	100 m 330 ft	120 m 400 ft	140 m 460 ft	160 m 530 ft	180 m 600 ft	200 m 660 ft	230 m 760 ft	vertical lift	solar generator
fixed	tracked	fixed	tracked	fixed	tracked	fixed	tracked	fixed	array mounting	

flow rate [m³/day]

3.2	4.7	2.6	4.2	2.5	3.8	2.3	3.4	1.9	2.7
2.6	3.7	2.1	3.1	1.8	2.7	1.6	2.3	1.3	1.8
1.9	2.6	1.5	2.1	1.1	1.6	0.9	1.3	0.7	0.9

HR-03									
6.4					5.7				
10mm ² / 120m #10 / 330ft					10mm ² / 120m #8 / 450ft				

3.8	5.1	3.4	5.0	3.2	4.7	3.0	4.3	2.7	4.0
3.3	4.4	3.0	4.0	2.7	3.9	2.5	3.3	2.0	2.9
2.8	3.8	2.6	3.5	2.2	3.0	1.7	2.3	1.3	1.8

HR-03									
8.3					7.2				
10mm ² / 120m #10 / 330ft					10mm ² / 120m #8 / 450ft				

4.7	6.9	4.5	5.4	4.0	5.0	3.7	5.0	3.0	4.2	2.3	3.2	1.7	2.4
3.9	5.5	3.7	4.7	3.2	4.2	3.0	4.1	2.5	3.4	2.0	2.7	1.4	1.9
3.0	4.0	2.9	3.9	2.4	3.3	2.3	3.2	2.0	2.7	1.7	2.2	1.0	1.4

HR-04H				HR-03				HR-03H			
9.5				7.9				7.2			
10mm ² / 120m #10 / 330ft				10mm ² / 120m #8 / 450ft				14mm ² / 180m #6 / 600ft			

5.7	8.2	5.5	8.0	5.0	7.0	4.5	6.5	3.3	4.5	2.8	4.0	2.3	3.0
4.8	6.7	4.4	6.5	3.8	5.3	3.4	4.8	3.0	4.0	2.4	3.3	1.9	2.5
3.9	5.2	3.3	4.5	2.6	3.5	2.2	3.0	2.6	3.5	1.9	2.5	1.5	2.0

HR-04H				HR-03				HR-03H			
12				11				10			
10mm ² / 100m #6 / 420ft				10mm ² / 140m				14mm ² / 180m #6 / 600ft			

8.0	11.5	6.5	8.0	5.5	7.8	5.1	7.4	4.5	6.4
6.5	9.2	5.5	7.4	4.9	6.7	4.0	5.8	3.5	5.0
5.0	7.0	4.5	6.0	4.3	5.5	3.0	4.2	2.5	3.5

HR-07			HR-04H		
19			13		
#8 / 265ft			10mm ² / 100m #6 / 420ft		

9.4	14	8.7	13	6.0	8.0	5.7	8.0	5.3	7.0
8.2	12	7.4	11	5.8	7.0	5.0	6.5	4.4	5.9
7.0	9.5	6.0	8.1	5.5	6.1	4.0	5.4	3.5	4.7

HR-07			HR-04H		
20			19		
10mm ² / 100m #8 / 300ft			10mm ² / 120m #6 / 500ft		

10	14	9.4	14	6.8	8.0	6.4	8.0	6.0	7.2
8.9	12	8.4	12	6.1	7.4	5.7	6.8	5.2	6.4
7.8	11	7.3	9.8	5.7	6.4	4.7	6.1	4.4	6.0

HR-07			HR-04H		
20			19		
10mm ² / 100m #8 / 300ft			10mm ² / 120m #6 / 500ft		

7.5	irradiation	300 Wp
6.0	kWh/	
4.5	m ² /day	
pump type		
peak flow rate [l/min]		
wire size/max. length		

7.5	irradiation	350 Wp
6.0	kWh/	
4.5	m ² /day	
pump type		
peak flow rate [l/min]		
wire size/max. length		

7.5	irradiation	420 Wp
6.0	kWh/	
4.5	m ² /day	
pump type		
peak flow rate [l/min]		
wire size/max. length		

7.5	irradiation	480 Wp
6.0	kWh/	
4.5	m ² /day	
pump type		
peak flow rate [l/min]		
wire size/max. length		

7.5	irradiation	660 Wp
6.0	kWh/	
4.5	m ² /day	
pump type		
peak flow rate [l/min]		
wire size/max. length		

7.5	irradiation	720 Wp
6.0	kWh/	
4.5	m ² /day	
pump type		
peak flow rate [l/min]		
wire size/max. length		

7.5	irradiation	840 Wp
6.0	kWh/	
4.5	m ² /day	
pump type		
peak flow rate [l/min]		
wire size/max. length		

2 daily volume

3 peak flow for pipe sizing

Calculation of Daily Water Volume

Daily volume is calculated by integrating real flow versus realistic solar (PV) output throughout the day.

Calculations include a 10% PV output degradation (heat, dirt etc.). Cable losses are included at maximum allowable length. The solar array is fixed at tilt angle = latitude of the location.

Irradiation: kWh/m²/day = peak sun hours/ day

Flow rates may vary by +/- 10%

4 wire size, max. wire length

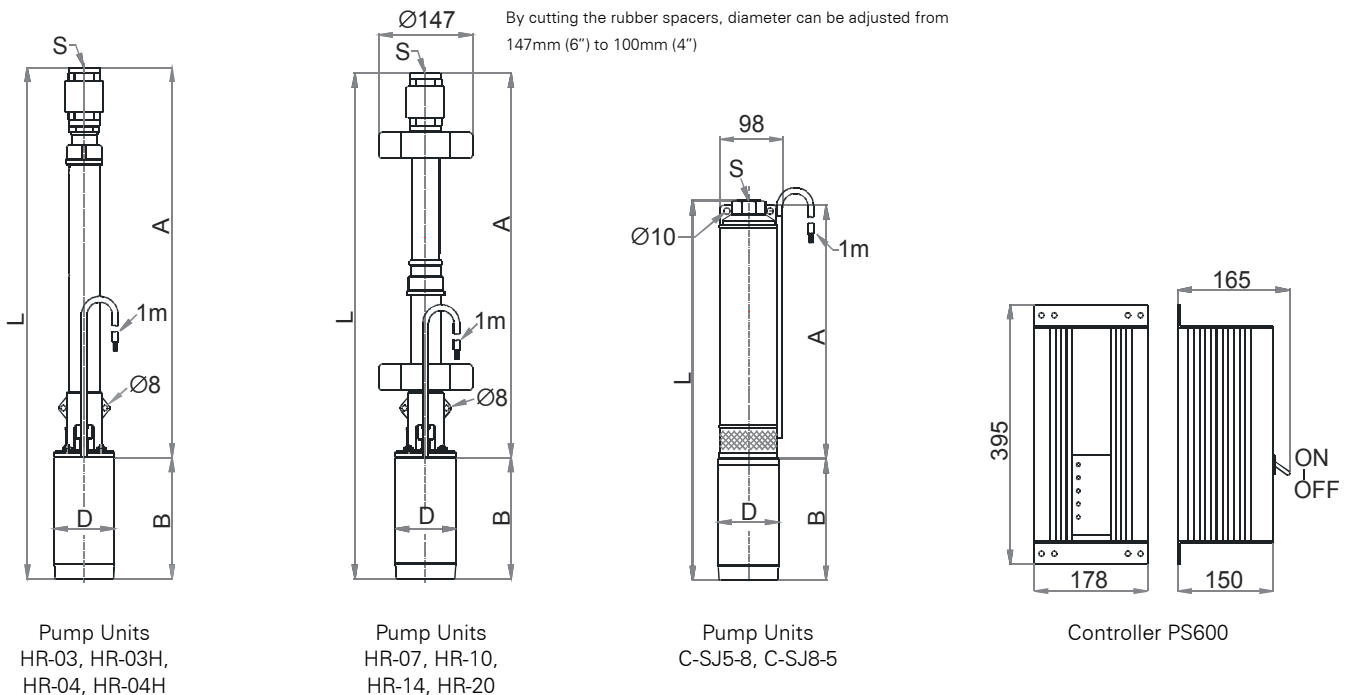
Conversion for Wire Sizes

AWG	mm ²
# 18	1
# 12	4
# 10	6
# 8	10
# 6	16

Table shows nearest larger metric cross section.

Dimensions and Weights

	dimensions					shipping dimensions			
	L [mm]	A [mm]	B [mm]	D [mm]	S [mm]	packaging [mm]	shipping volume [m ³]	net weight [kg]	gross weight [kg]
Pump Unit (PU) (motor + pump end)									
HR-03, HR-03H, HR-04, HR-04H	780	595	185	96	G 1 1/4"	850×160×150	0.0204	11.2	12.0
HR-07, HR-10, HR-14, HR-20	771	586	185	96	G 1 1/4"	850×160×150	0.0204	11.5	12.3
C-SJ5-8	524	339	185	96	G 1 1/2"	660×160×150	0.0158	11.2	12.0
C-SJ8-5	600	415	185	96	G 2"	660×160×150	0.0158	12.7	13.5
Controller									
PS600						450×250×240	0.0270	4.5	5.3



Sand and Silt Tolerance

The pump (HR) has a higher resistance to wear from sand, clay etc. than any other pump type. In properly constructed wells the amount of solid particles is within the tolerance of the pump.

A concentration of particles higher than 2% (by volume) may cause blockage in the pump or the drop pipe, especially at low flow rates.

Do not use the pump to clean out a dirty well.

Pump Cable and Splice

Standard submersible cable, 3-wire + ground (total four wires). Connection to the pump is made using industry-standard splicing methods.

Drop Pipe

G 1 1/4" (optional: 1" NPT) pump outlet. If water is dirty consider a smaller sized drop pipe to increase the flow velocity. This helps to exhaust solid particles and prevent accumulation in the pipe. When considering reduced pipe size, consult a pipe sizing (friction loss) chart. Pipe can be of any standard material, rigid or flexible. A torque arrestor is *not* required.

Temperature Limits

Pump end, motor: water temperature up to +40°C (+104°F)

Specify temperature range on order.

Controller: ambient temperature -30°C to +55°C (-22°F to +131°F)

Warranty

Two years manufacturer's warranty against defects in material and workmanship